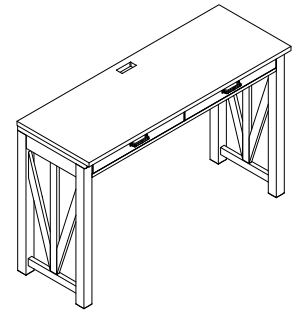


Components and Hardware List

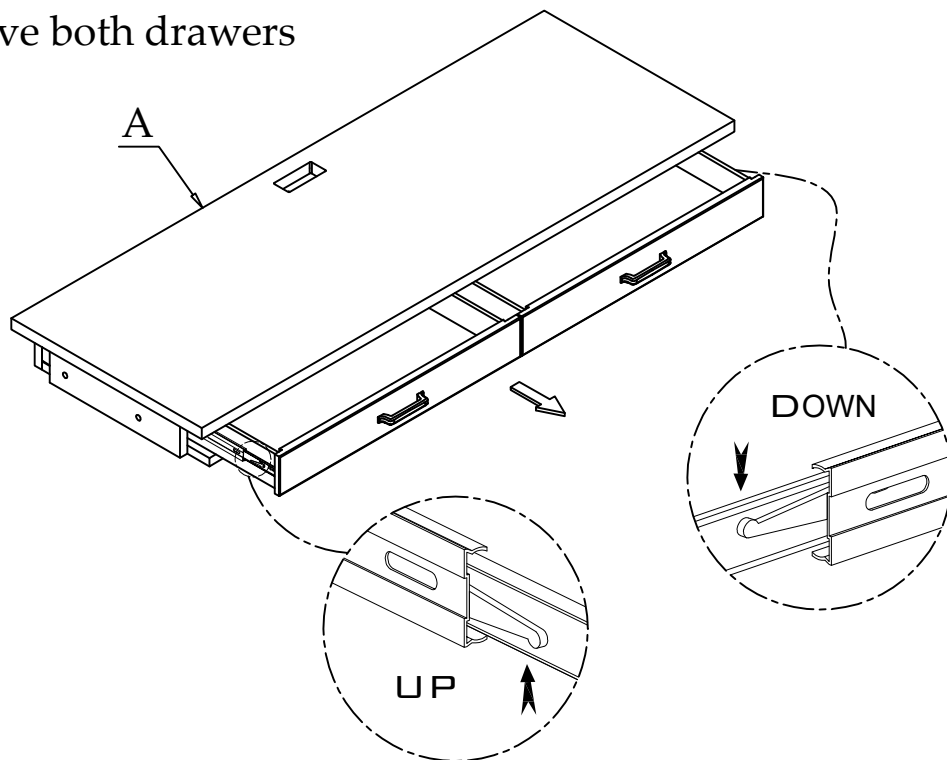


#12132  
30"H Nesting Desk

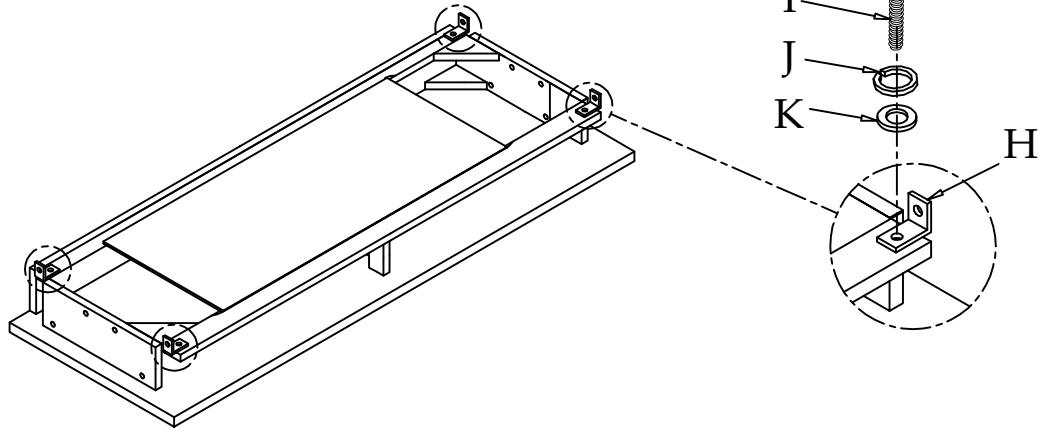
<p>Desk Top</p> <p><b>(A)</b> 1 pc.</p>	<p>Leg Frame (Left)</p> <p><b>(B)</b> 1 pc.</p>	<p>Leg Frame (Right)</p> <p><b>(C)</b> 1 pc.</p>	<p>M5/16" x 1-1/2" Allen Head Bolt</p> <p><b>(D)</b> 8 pcs.</p>	
<p>5/16"x12*3mm Spring Washer</p> <p><b>(E)</b> 8 pcs.</p>	<p>5/16" x 19*2mm Flat Washer</p> <p><b>(F)</b> 8 pcs.</p>	<p>5mm Allen Key</p> <p><b>(G)</b> 1 pc.</p>	<p>L-Bracket</p> <p><b>(H)</b> 4 pcs.</p>	<p>M1/4" x 3/4" Allen Head Bolt</p> <p><b>(I)</b> 8 pcs.</p>
<p>1/4"x12*3mm Spring Washer</p> <p><b>(J)</b> 8 pcs.</p>	<p>1/4" x 19*2mm Flat Washer</p> <p><b>(K)</b> 8 pcs.</p>	<p>4mm Allen Key</p> <p><b>(L)</b> 1 pc.</p>	<p>Anti-tip Restraint Kit</p> <p><b>(M)</b> 1 pc.</p>	

Be sure to check all packing material carefully for small parts, which may have come loose inside the carton during shipment.

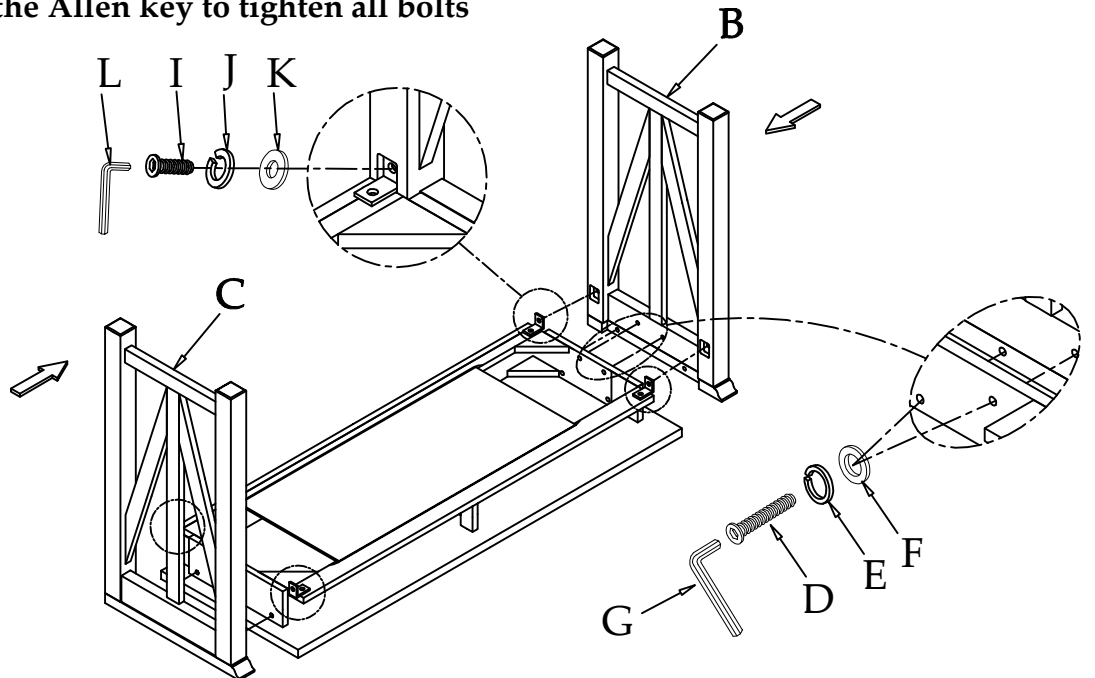
Step 1 : Remove both drawers



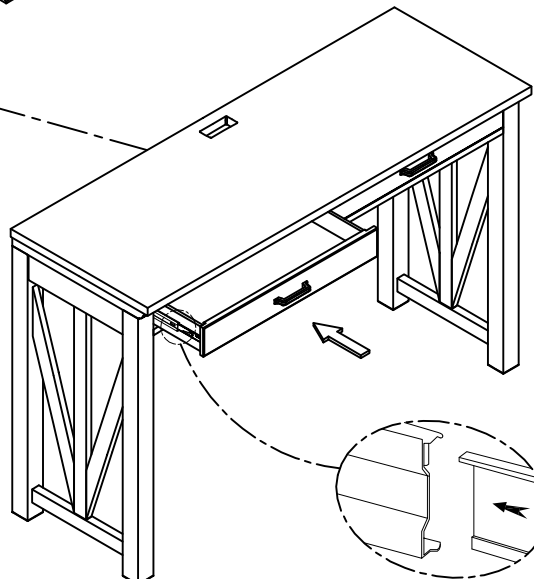
Step 2: Do not fully tighten the bolts



Step 3 : Using the Allen key to tighten all bolts



Step 4



For product and personal safety, Anti-Tip Restraint Kit has been included with this cabinet which can help to minimize the risk of the cabinet accidentally tipping forward, if used and properly installed